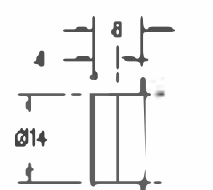
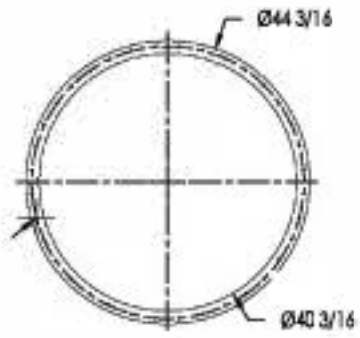


FILTER INSTALLATION/REMOVAL DETAIL

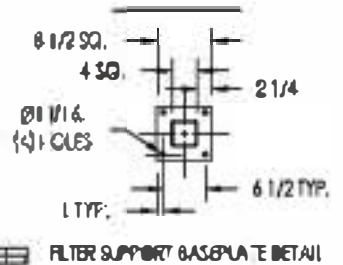
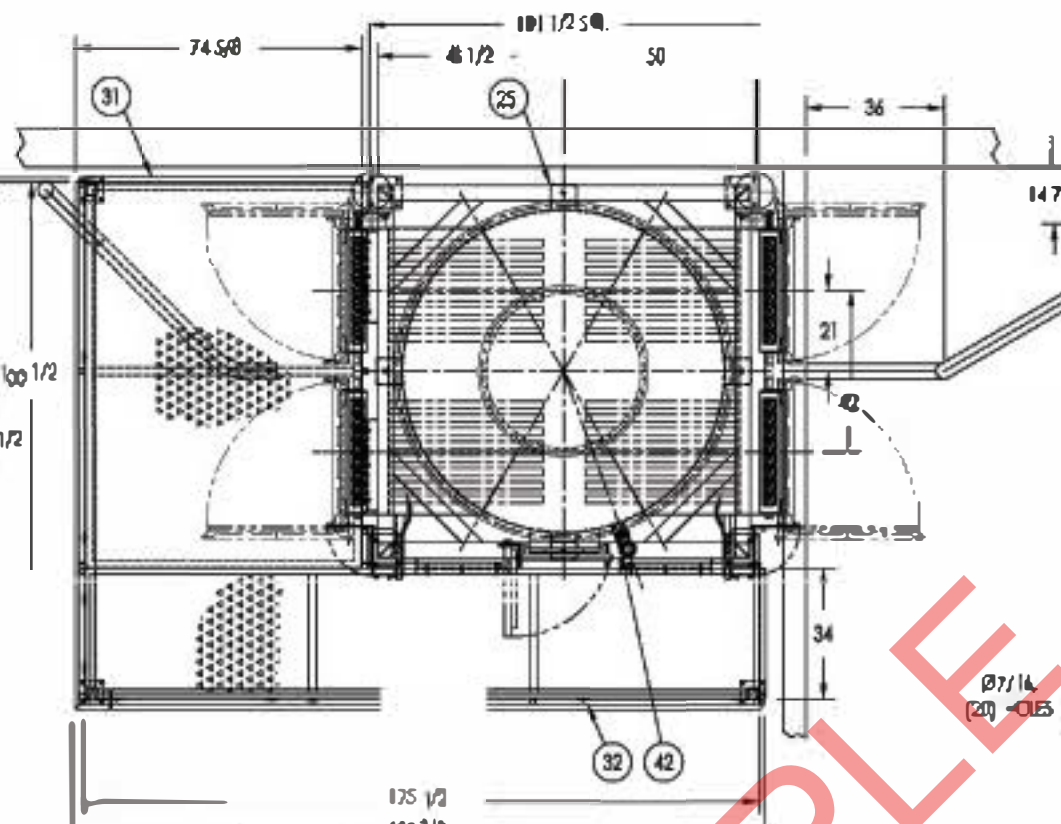


INLET WELD ON DETAIL

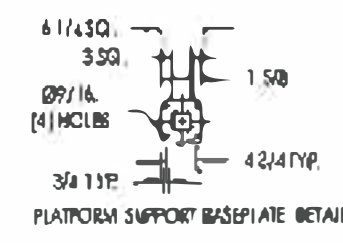


EXHAUST VENT ANCHOR DETAIL

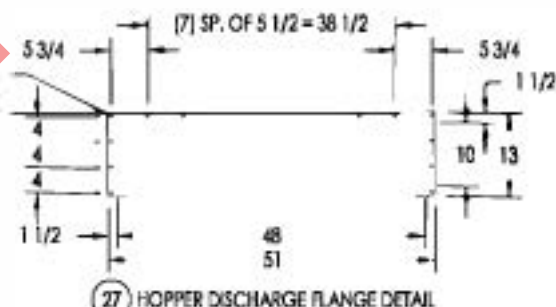
(S4) 607/M HCH BE EQ.
SP. O N042 /72 OBC
STRADBLE CE# 6701E



FILTER SUPPORT BASEPLATE DETAIL

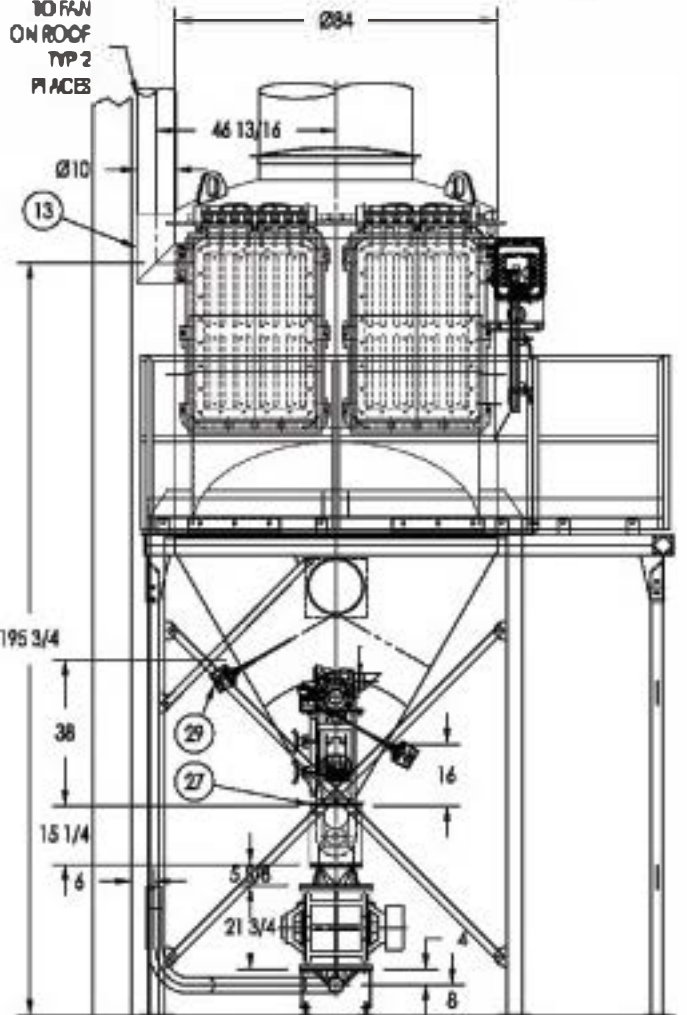


PLATFORM SUPPORT BASEPLATE DETAIL



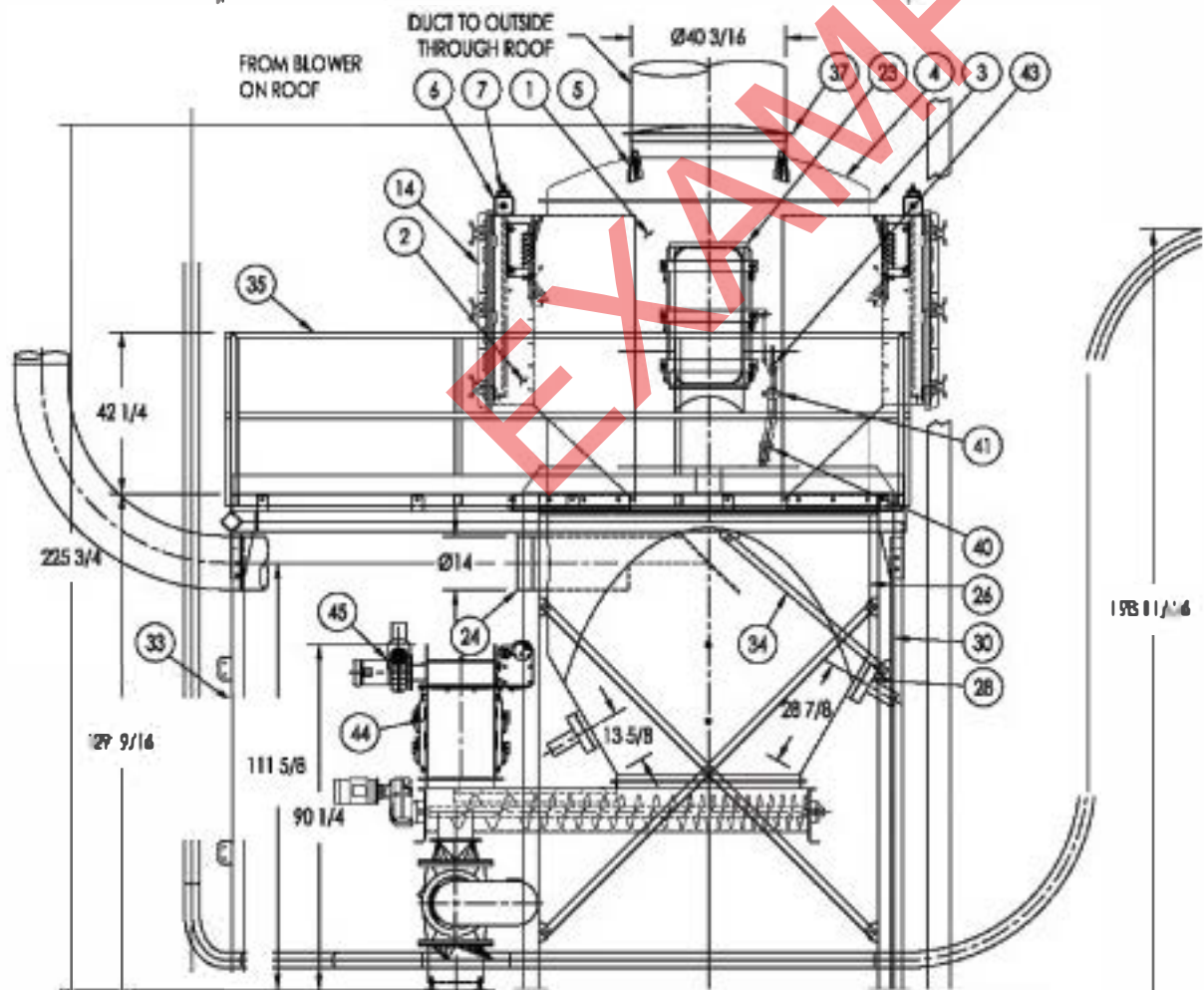
HOPPER DISCHARGE FLANGE DETAIL

TO SCALIES AND
FILTER RECEIVER



TO FAN
ON ROOF
TYP 2
PLACES

195 3/4
38
15 1/4
6



FROM BLOWER
ON ROOF

DUCT TO OUTSIDE
THROUGH ROOF

APPROVAL REQUIRED
THIS JOB IS CONSIDERED HIGH RISK UNLESS A QUALIFIED COPY
OF THIS PLAN IS RETURNED TO HORIZON SYSTEMS, INC.

APPROVED AS IS
 APPROVED WITH CHANGES INDICATED
 CHANGES REQUIRED, DO NOT
PROCEED WITH FABRICATION

SIGNATURE: _____
COMPANY: _____
DATE: _____

JOB:	QTY.:	TAG:
FINISH SPECIFICATION		LEVEL
EXTERIOR SURFACE FINISH	1	STEEL
EXTERIOR WELD FINISH	1	WIRE WELD
INTERIOR PRODUCT CONTACT SURFACE FINISH	0	NO COATING
INTERIOR PRODUCT CONTACT WELD FINISH	0	WELD CONT. TO GRIT
INTERIOR NON-PRODUCT CONTACT SURFACE FINISH	0	NO COATING
INTERIOR NON-PRODUCT CONTACT WELD FINISH	0	NO WELD

NOTE: PLATFORM TO BE PAINTED SAFETY YELLOW ENAMEL.

REVISIONS				
REV.	DESCRIPTION	DATE	AUTHOR	CHECKED
1	LOWER INLET TO CLEAR PLATFORM			

MATERIALS LIST		
ITEM	QTY.	DESCRIPTION
1	1	4" FILTER BRIDGE 3" HOLE CARBON STEEL, 1/4" HOLE 3" HOLE
2	3	FLANGE 3" HOLE CARBON STEEL, 1/4" HOLE 3" HOLE
3	4	MOUNT 4" RANGE 1/4" HOLE 3" HOLE CARBON STEEL
4	1	TOP ANCHOR BRIDGE HEAD, 3" HOLE CARBON STEEL
5	4	FRAMING, 2" X 4" X 10' BAY HOLE
6	4	COMPRESSED AIR HEAD, 5/8" X 3/8" B.S.P. 1/4" HOLE
7	20	SPRUE PLATE 1/4" X 1" X 1" X 1" X 1" X 1" X 1"
8	5	AIR BRIDGE, 1/2" HOLE 3" HOLE 3" HOLE 3" HOLE
9	1	CONTROL VALVE BRACKET, CARBON STEEL
10	20	BRIDGE VALVE, 1/2" HOLE 3" HOLE
11	5	BRIDGE VALVE, 1/2" HOLE 3" HOLE
12	1	MAGNETIC CYCLE VALVE, 1/2" HOLE 3" HOLE
13	2	INLET AIR OUTLET, 1" HOLE CARBON STEEL, ROLL TO 17' O.D.
14	4	FLANGE ACCESS, 1/4" HOLE 3" HOLE 3" HOLE 3" HOLE
15	4	INLET AIR FLANGE, 1/4" HOLE 3" HOLE 3" HOLE 3" HOLE
16	4	VENTURI CLAMP, 1/2" HOLE 3" HOLE
17	4	VENTURI CLAMP, 1/2" HOLE 3" HOLE
18	4	VENTURI CLAMP, 1/2" HOLE 3" HOLE
19	4	VENTURI CLAMP, 1/2" HOLE 3" HOLE
20	20	QUAL VENTURI ASSEMBLY, CARBON STEEL
21	4	FILTER BRIDGE 1/4" HOLE, CARBON STEEL, 1/4" HOLE 3" HOLE
22	20	BRIDGE VALVE, 1/2" HOLE 3" HOLE
23	1	PRODUCTION BRIDGE DOOR, 1/4" HOLE 3" HOLE 3" HOLE 3" HOLE
24	1	PRODUCTION BRIDGE DOOR, 1/4" HOLE 3" HOLE 3" HOLE 3" HOLE
25	4	MOUNT 5" RANGE, 1/4" HOLE 3" HOLE CARBON STEEL, 1/4" HOLE 3" HOLE
26	1	COPPER WITH BRASS TO RECT. DISCHARGE, 1/4" HOLE CARBON STEEL
27	1	DISCHARGE FLANGE, 1/2" HOLE CARBON STEEL, 1/4" HOLE 3" HOLE
28	3	BRIDGE VALVE, 1/2" HOLE 3" HOLE, 1/4" HOLE 3" HOLE 3" HOLE
29	3	LAY BRIDGE VALVE, 1/2" HOLE 3" HOLE, 1/4" HOLE 3" HOLE
30	1	SUPPORT FRAME, 4" X 4" X 1/4" 3" HOLE CARBON STEEL, 1/4" HOLE 3" HOLE
31	1	FILTER ACCESS PLATE, 5/8" X 1/4" X 1/4" X 1/4" CARBON STEEL, 1/4" HOLE 3" HOLE
32	1	PRODUCTION BRIDGE DOOR, 1/4" HOLE 3" HOLE 3" HOLE 3" HOLE
33	1	RAPID ACCESS BRIDGE DOOR, 1/4" HOLE 3" HOLE 3" HOLE 3" HOLE
34	1	BRIDGE VALVE, 1/2" HOLE 3" HOLE, 1/4" HOLE 3" HOLE 3" HOLE
35	1	BRIDGE VALVE, 1/2" HOLE 3" HOLE, 1/4" HOLE 3" HOLE 3" HOLE
36	1	BRIDGE VALVE, 1/2" HOLE 3" HOLE, 1/4" HOLE 3" HOLE 3" HOLE
37	1	BRIDGE VALVE, 1/2" HOLE 3" HOLE, 1/4" HOLE 3" HOLE 3" HOLE
38	1	BRIDGE VALVE, 1/2" HOLE 3" HOLE, 1/4" HOLE 3" HOLE 3" HOLE
39	1	BRIDGE VALVE, 1/2" HOLE 3" HOLE, 1/4" HOLE 3" HOLE 3" HOLE
40	1	BRIDGE VALVE, 1/2" HOLE 3" HOLE, 1/4" HOLE 3" HOLE 3" HOLE
41	1	BRIDGE VALVE, 1/2" HOLE 3" HOLE, 1/4" HOLE 3" HOLE 3" HOLE
42	1	BRIDGE VALVE, 1/2" HOLE 3" HOLE, 1/4" HOLE 3" HOLE 3" HOLE
43	1	BRIDGE VALVE, 1/2" HOLE 3" HOLE, 1/4" HOLE 3" HOLE 3" HOLE
44	1	BRIDGE VALVE, 1/2" HOLE 3" HOLE, 1/4" HOLE 3" HOLE 3" HOLE
45	1	BRIDGE VALVE, 1/2" HOLE 3" HOLE, 1/4" HOLE 3" HOLE 3" HOLE

- NOTES:
1. 1" HOLES IN SUPPLY LINE FOR COMPRESSED AIR HEADS SHALL BE 1/4" OR 3/8" IN DIAMETER OF CLEAN BAY AIR. PROTECT AIR HEADS FROM IMPACT AND MAINTAIN WORKING CLEARANCE FROM DEBRIS. MAINTAIN CLEARANCE FROM WALLS AND OTHER OBSTRUCTIONS AS SPECIFIED ON DRAWING.
 2. FILTER BRIDGE VALVE 1/2" HOLE 3" HOLE SHALL BE 1/4" HOLE 3" HOLE 3" HOLE.
 3. THE MAGNETIC CYCLE VALVE 1/2" HOLE 3" HOLE SHALL BE 1/4" HOLE 3" HOLE 3" HOLE.
 4. REVERSE OF PLATE SHALL BE 1/4" HOLE 3" HOLE 3" HOLE 3" HOLE.
 5. FILTER IS DESIGNED FOR A MAXIMUM RATE OF 100 CFM AT 17" Hg.
 6. FILTER BRIDGE VALVE IS 5" O.D. FOR INSTALLATION BY OTHERS.
 7. 1" HOLES IN SUPPLY LINE FOR COMPRESSED AIR HEADS SHALL BE 1/4" OR 3/8" IN DIAMETER OF CLEAN BAY AIR. PROTECT AIR HEADS FROM IMPACT AND MAINTAIN WORKING CLEARANCE FROM DEBRIS. MAINTAIN CLEARANCE FROM WALLS AND OTHER OBSTRUCTIONS AS SPECIFIED ON DRAWING.
 8. 1" HOLES IN SUPPLY LINE FOR COMPRESSED AIR HEADS SHALL BE 1/4" OR 3/8" IN DIAMETER OF CLEAN BAY AIR. PROTECT AIR HEADS FROM IMPACT AND MAINTAIN WORKING CLEARANCE FROM DEBRIS. MAINTAIN CLEARANCE FROM WALLS AND OTHER OBSTRUCTIONS AS SPECIFIED ON DRAWING.
 9. TO REPLACE FILTER ELEMENT: OPEN PLATFORM ACCESS DOOR, REMOVE BRIDGE VALVE, RELEASE FILTER ELEMENT FROM BOTTOM, REMOVE VENTURI CLAMP, REMOVE FILTER ELEMENT, REVERSE OPERATION FOR INSTALLATION.

HORIZON SYSTEMS

47" O.A. EXHAUST VENT, 18" X 48" DIA.

FRANCE: 47" X 115" OVERALL DIMENSIONS

SCALE: 1/4" = 1'-0"

DATE: 11/10

DRAWN BY: [Signature]

CHECKED BY: [Signature]

SCALE: 1/4" = 1'-0"

DATE: 11/10

DRAWN BY: [Signature]

CHECKED BY: [Signature]